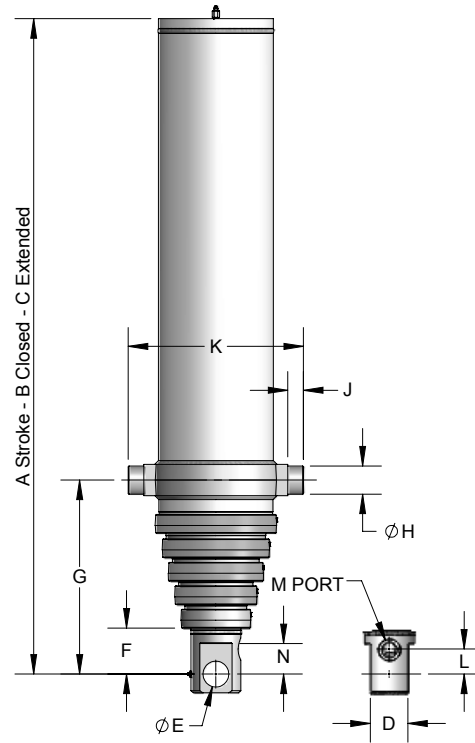


4000 Series Invert

Trunnion-to-Pin Mounting

4000 Series Invert Mount

- Trunnion-to-Pin mounting
- Self-bleeding design
- Pre-loaded v-packing with a self-adjusting wave spring energizer or an energized 'Z' seal package as an option
- Threaded headnuts for added strength and field seal adjustment
- Longer bearing length for stability
- Stock models inventoried at five warehouse locations throughout the U.S. for immediate needs



4000 Series Invert Mount

| MODEL NUMBER | A | | B | | C | | D | | E | | F | | G | | H | | J | | K | | L | | M | N | | GAL of OIL | | WEIGHT |
|--------------|--------|------|-------|------|--------|------|------|-----|------|----|------|----|-------|-----|------|----|------|----|-------|-----|------|----|---------|------|-----|------------|------|--------|
| | in | mm | in | mm | in | mm | in | mm | in | mm | in | mm | in | mm | in | mm | in | mm | in | mm | in | mm | PORT | in | mm | FILL | EXT | lbs |
| 63-4582-140 | 139.88 | 3553 | 60.00 | 1524 | 199.88 | 5077 | 4.00 | 102 | 1.56 | 40 | 3.44 | 87 | 14.38 | 365 | 1.75 | 44 | 1.69 | 43 | 12.38 | 314 | 2.00 | 51 | 1" NPTF | N/A | N/A | 4.7 | 12.2 | 332 |
| 85-4499-200 | 199.88 | 5077 | 56.38 | 1432 | 256.25 | 6509 | 3.00 | 76 | 2.06 | 52 | 3.75 | 95 | 15.50 | 394 | 2.25 | 57 | 1.25 | 32 | 14.00 | 356 | 2.00 | 51 | 1" NPTF | 2.50 | 64 | 6.6 | 25.6 | 522 |
| 85-4499-220 | 219.88 | 5585 | 60.38 | 1534 | 280.25 | 7118 | 3.00 | 76 | 2.06 | 52 | 3.75 | 95 | 15.50 | 394 | 2.25 | 57 | 1.25 | 32 | 14.00 | 356 | 2.00 | 51 | 1" NPTF | 2.50 | 64 | 7.3 | 28.2 | 571 |
| 85-4499-235 | 234.88 | 5966 | 65.38 | 1661 | 300.25 | 7626 | 3.00 | 76 | 2.06 | 52 | 3.75 | 95 | 15.50 | 394 | 2.25 | 57 | 1.25 | 32 | 14.00 | 356 | 2.00 | 51 | 1" NPTF | 2.50 | 64 | 7.8 | 30.1 | 646 |
| 85-4499-250 | 249.88 | 6347 | 68.38 | 1737 | 318.25 | 8084 | 3.00 | 76 | 2.06 | 52 | 3.75 | 95 | 15.50 | 394 | 2.25 | 57 | 1.25 | 32 | 14.00 | 356 | 2.00 | 51 | 1" NPTF | 2.50 | 64 | 8.2 | 32.0 | 664 |
| 85-4499-265 | 264.88 | 6728 | 74.88 | 1902 | 339.75 | 8630 | 3.00 | 76 | 2.06 | 52 | 3.75 | 95 | 15.50 | 394 | 2.25 | 57 | 1.25 | 32 | 14.00 | 356 | 2.00 | 51 | 1" NPTF | 2.50 | 64 | 8.7 | 33.9 | 734 |
| 85-4499-280 | 279.88 | 7109 | 77.88 | 1978 | 357.75 | 9087 | 3.00 | 76 | 2.06 | 52 | 3.75 | 95 | 15.50 | 394 | 2.25 | 57 | 1.25 | 32 | 14.00 | 356 | 2.00 | 51 | 1" NPTF | 2.50 | 64 | 9.2 | 35.8 | 776 |