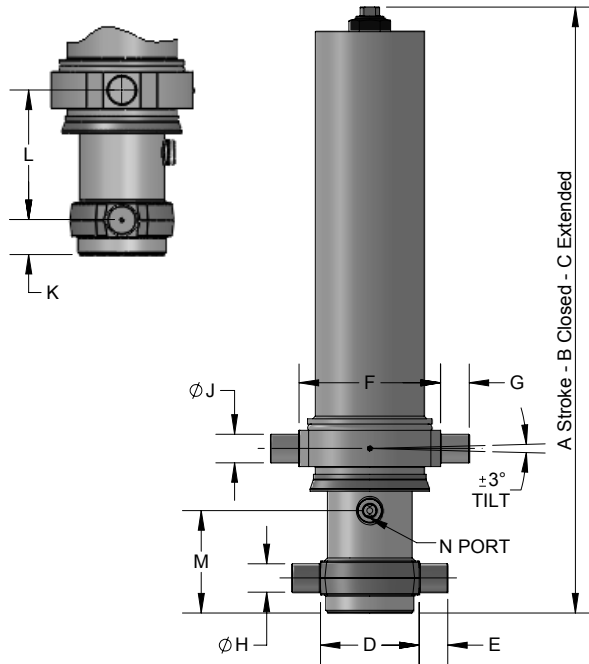


1500 Series

Trunnion Mount



1500 Series

- European style trunnion mount
- Body ported
- Oscillating trunnion collar reduces side loading
- O.D. sealed with state-of-the-art u-cups
- Fits a variety of dump body applications



1500 Series

MODEL NUMBER	A		B		C		D		F		G		J		K		L		M		N PORT	GAL OF OIL		WEIGHT lbs
	in	mm	in	mm	in	mm	in	mm	in	mm	in	mm	in	mm	in	mm	in	mm	FILL	EXT				
1403-1508-4270	168.00	4267	69.25	1759	237.25	6026	8.23	209	13.38	340	2.38	60	2.49	63	2.75	70	12.63	321	6.48	165	1" BSP	1.6	13.1	572
1404-1512-4280	168.25	4274	54.00	1372	222.25	5645	8.23	209	13.38	340	2.38	60	2.49	63	2.75	70	12.63	321	6.48	165	1" BSP	1.5	11.3	495
1404-1512-4640	182.75	4642	57.75	1467	240.50	6109	8.23	209	13.38	340	2.38	60	2.49	63	2.75	70	12.63	321	6.48	165	1" BSP	1.7	12.2	522
1404-1513-5200	204.25	5188	63.00	1600	267.25	6788	7.40	188	13.38	340	2.00	51	2.49	63	2.75	70	12.63	321	6.48	165	1" BSP	1.9	13.7	577
1404-1513-5600	219.25	5569	66.75	1695	286.00	7264	7.40	188	13.38	340	2.00	51	2.49	63	2.75	70	12.63	321	6.48	165	1" BSP	2.0	14.7	611
1624-1509-4280	168.25	4274	54.00	1372	222.25	5645	9.51	242	13.38	340	2.76	70	2.49	63	3.35	85	12.63	321	6.48	165	1" BSP	1.8	15.6	574
1624-1509-4640	182.50	4636	57.75	1467	240.25	6102	9.51	242	13.38	340	2.76	70	2.49	63	3.35	85	12.63	321	6.48	165	1" BSP	1.9	16.9	606
1624-1509-5190	204.00	5182	63.88	1622	267.88	6804	9.51	242	13.38	340	2.76	70	2.49	63	3.35	85	12.63	321	6.48	165	1" BSP	2.2	18.9	658
1624-1509-5460	215.00	5461	66.63	1692	281.63	7153	9.51	242	13.38	340	2.76	70	2.49	63	3.35	85	12.63	321	6.48	165	1" BSP	2.3	20.0	681
1625-1505-5625	221.25	5620	55.88	1419	277.13	7039	9.25	235	12.52	318	1.96	50	2.36	60	3.35	85	12.63	321	6.48	165	1" BSP	2.2	17.9	637
1625-1505-5850	230.38	5852	55.00	1397	285.38	7249	9.25	235	12.52	318	1.96	50	2.36	60	3.35	85	12.63	321	6.48	165	1" BSP	2.2	18.7	627
1854-1509-4300	169.25	4299	55.25	1403	224.50	5702	9.53	242	13.69	348	2.76	70	2.75	70	3.35	85	12.63	321	6.48	165	1" BSP	2.1	21.0	680
1854-1509-4640	182.75	4642	58.63	1489	241.38	6131	9.53	242	13.69	348	2.76	70	2.75	70	3.35	85	12.63	321	6.48	165	1" BSP	2.2	22.7	709
1854-1509-5390	212.25	5391	66.00	1676	278.25	7068	9.53	242	13.69	348	2.76	70	2.75	70	3.35	85	12.63	321	6.48	165	1" BSP	2.5	25.3	780
1854-1509-5460	215.00	5461	66.75	1695	281.75	7156	9.53	242	13.69	348	2.76	70	2.75	70	3.35	85	12.63	321	6.48	165	1" BSP	2.6	26.6	788
1854-1509-5780	227.75	5785	70.63	1794	298.38	7579	9.53	242	13.69	348	2.76	70	2.75	70	3.35	85	12.63	321	6.48	165	1" BSP	2.8	28.4	825
1854-1509-6100	240.25	6102	74.00	1880	314.25	7982	9.53	242	13.69	348	2.76	70	2.75	70	3.35	85	12.63	321	6.48	165	1" BSP	2.9	30.0	858
1855-1518-5733	225.63	5731	58.25	1480	283.88	7210	9.53	242	13.69	348	2.76	70	2.48	63	3.35	85	12.63	321	6.48	165	1" BSP	2.6	24.8	755
1855-1518-7233	284.38	7223	70.00	1778	354.38	9001	9.53	242	13.69	348	2.76	70	2.48	63	3.35	85	12.63	321	6.48	165	1" BSP	3.3	31.2	907
2075-1508-7190	283.13	7191	70.00	1778	353.13	8969	10.51	267	13.78	350	2.76	70	2.75	70	3.35	85	12.63	321	6.48	165	1" BSP	3.8	40.7	1023